

BV200S

Air Filtration Units

BenchVent
The Bench Ventilation Company

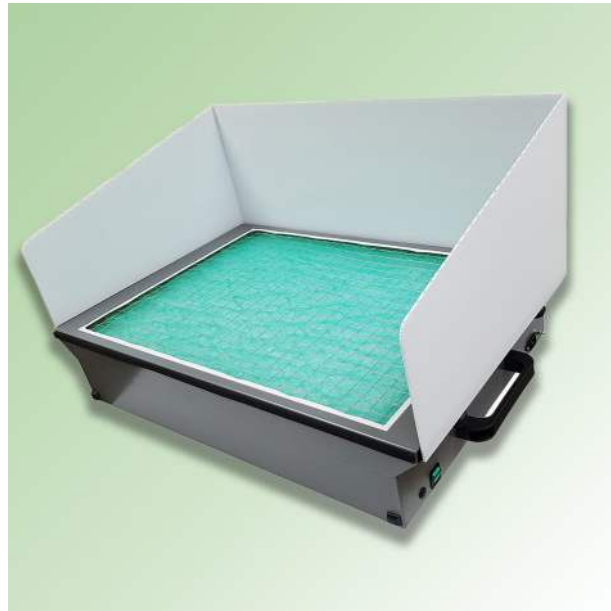
Booths for Glues, Aerosols, Airbrushes and more

Contain and filter for a cleaner, healthier working environment within art, graphics, hobby, modelling and crafts.

Applications include filtration of:

Aerosol adhesives (glue booths for Spray Mount), aerosol lacquers and fixatives and airbrush sprays applied to artwork up to A2 in size

Craft, hobby, model aerosol and airbrush paints, solders, light grinding particles and dusts, cleaning solvents etc...



Demonstrating adequate control of the risks to the health of employees, students and the general public, from dusts, powders, mists, fumes and vapours is the fundamental requirement of the Control of Substances Hazardous to Health (COSHH) regulations 2002 and 2004.

www.benchvent.com

BenchVent Filtration Cabinets

NOTE: These units are recirculatory; i.e. filtered air is exhausted back into the workplace.

For a cleaner, healthier working environment.

Description

Steel construction finished in dove grey RAL 9007 – plastic replaceable spray/fume shield – back stand / carry handle - particulate filter – carbon impregnated fibre filter – 2 x axial fans, external rotor motor type brushless, UL, VDE and CSA approved - sealed electrical wiring and switch, downstream of filters.

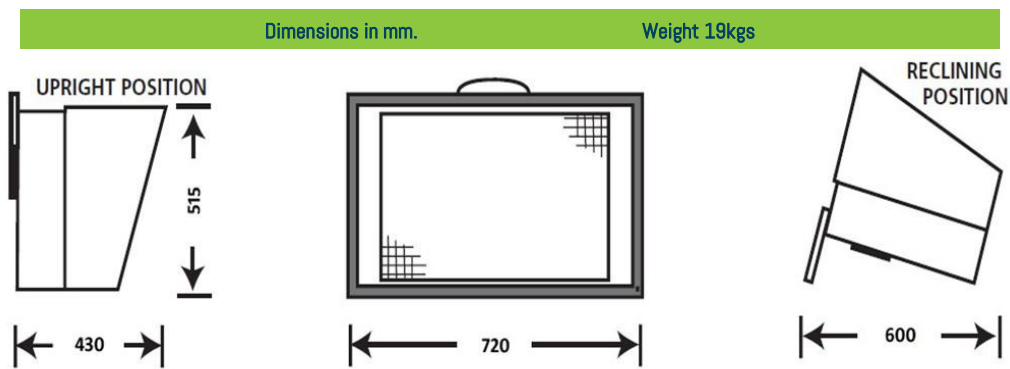
Operation

All BV filtration and extraction systems carry a lifetime warranty, are quiet in operation and can be assembled in seconds. Place onto a desk, bench or trolley and then simply plug in and switch on.

These units can be used in two positions.

Reclining position (on back-stand) – For Spray Mount, aerosol lacquers and fixatives etc. applied to artwork placed onto the filter. BV200S accommodates artwork up to A2.

Upright position – For model sprays and airbrush use – light grinding particles – solder fume displacement – general solvent dilution etc.



Filtration

The particulate (intake) filter is a three stage graduated fibre filter with a high 'dust' holding capacity for long life. Filtration to 5 micron particles. NB: Spray particulate sizes vary from 10 to 20 microns. The carbon impregnated fibre filter (behind intake) assists in the reduction of solvent odours.

Through the process of filtration, adsorption and dilution, operator exposure to concentrations of potentially hazardous substances is vastly reduced.

Specification

Model Number	Fan Motor* Spec	Air Volume At Free Air	Ave. Air Velocity At Filter Face	Ave. Air Velocity At Hood Face	Noise Level LAeq dB (A)
BV200S	230V 50Hz 90W	650m ³ /hr	0.5m/sec	0.35m/sec	61

*110v 50 or 60Hz available on request

These units are designed as predominantly 'spray traps' for studio/workshop cleanliness and for immediate operator protection from concentrations of airborne contaminants. They are not recommended for continual usage, i.e. production applications, particularly in confined and/or badly ventilated areas.

See extraction cabinets BV300S-D, BV200H-D and BV100H-D for total solvent odour and gas extraction, or BV660H-C or BV930H-C filtration cabinets for higher specification filtration

T: 01423 790039

E: enquiries@benchvent.com

W: www.benchvent.com

BenchVent, Unit 1 Levens Hall Park, Lund Lane, Killinghall, Harrogate, North Yorkshire. HG3 2BG

Company No: 03217859 Registered office: Widespread Solutions Ltd, Unit 1 Levens Hall Park, Lund Lane, Killinghall, Harrogate, North Yorkshire. HG3 2BG

BenchVent is a trading style of Widespread Solutions Ltd

We go to great lengths to ensure accuracy in our literature, however we cannot be held responsible for errors or omissions. Information is given for guidance only and we reserve the right to alter specification.